

# Royale VS Sash

## Section Identification Guide



DURATION  
WINDOWS



# Contents

---

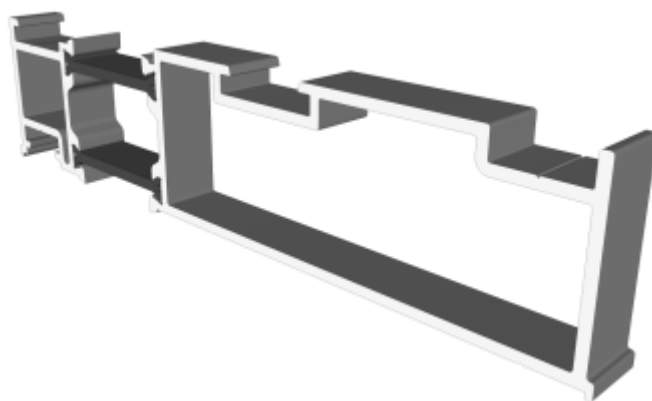
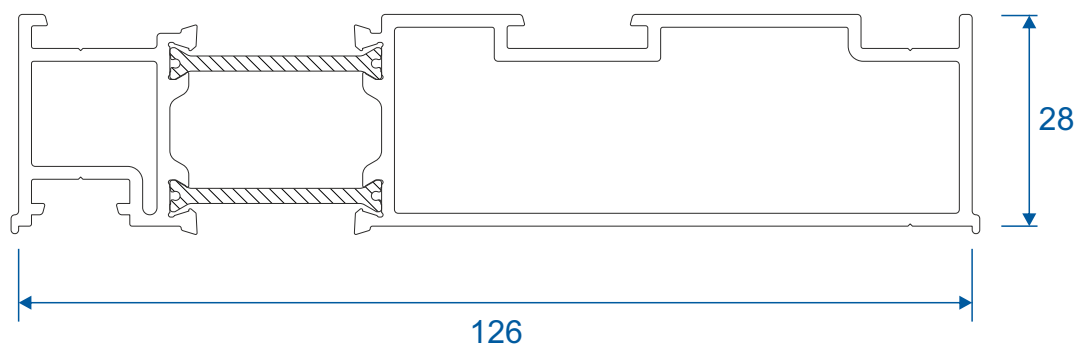
Head & Jamb	3
Cill	4
Sashes	5
Beads, Interlock & Astragals	6

## **Sections**

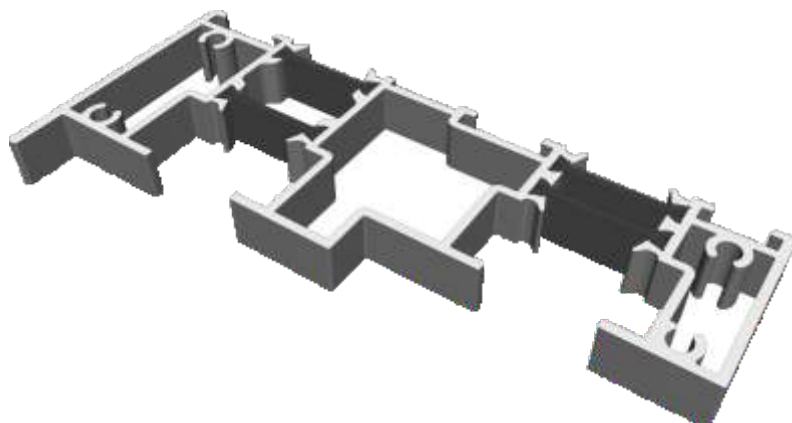
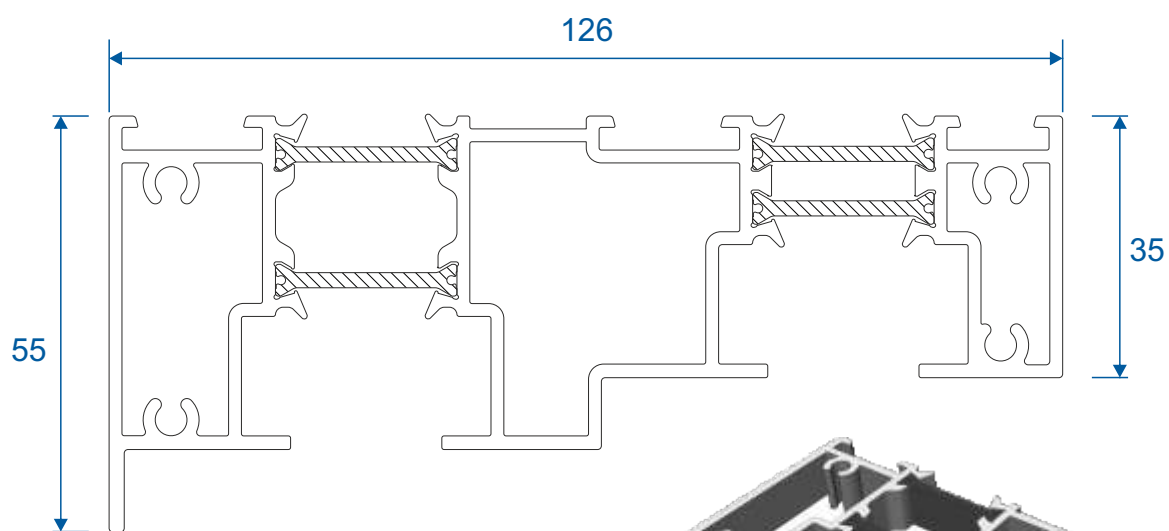
Head, Interlock / Midrail, Cill	7
Jamb	8
Astragal	9

# Head & Jamb

## VS111 - Head Frame

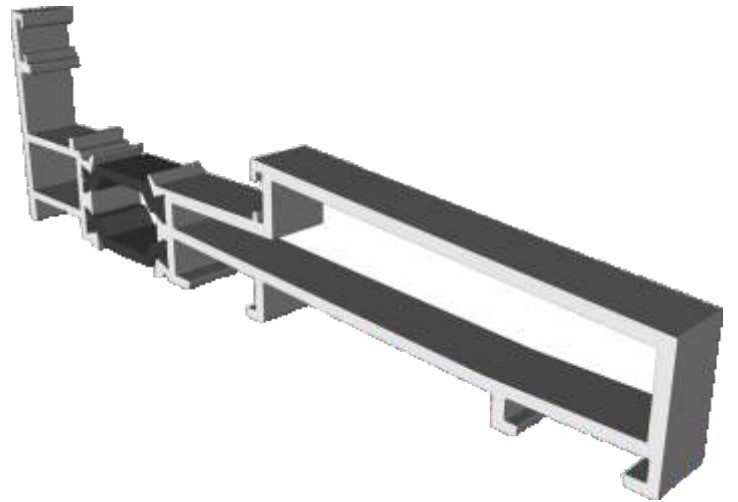
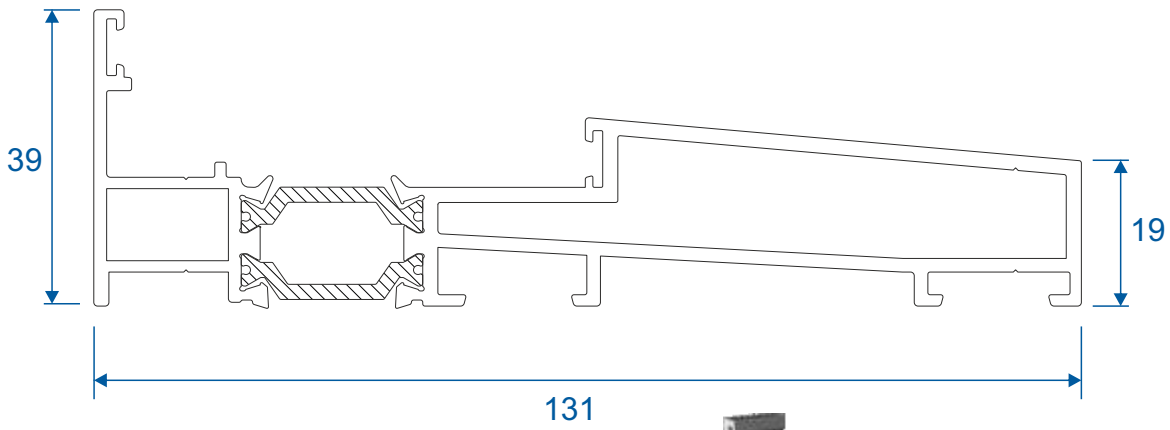


## VS112 - Jamb

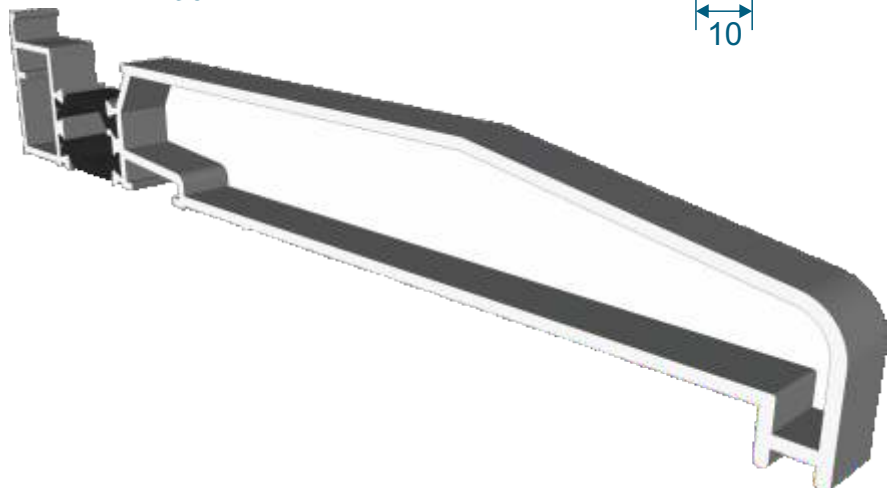
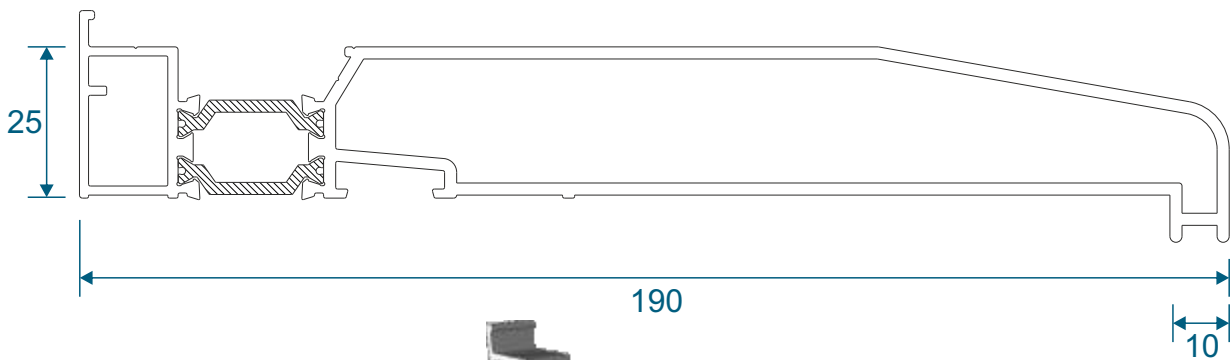


# Cill

## ZSB147 - Cill

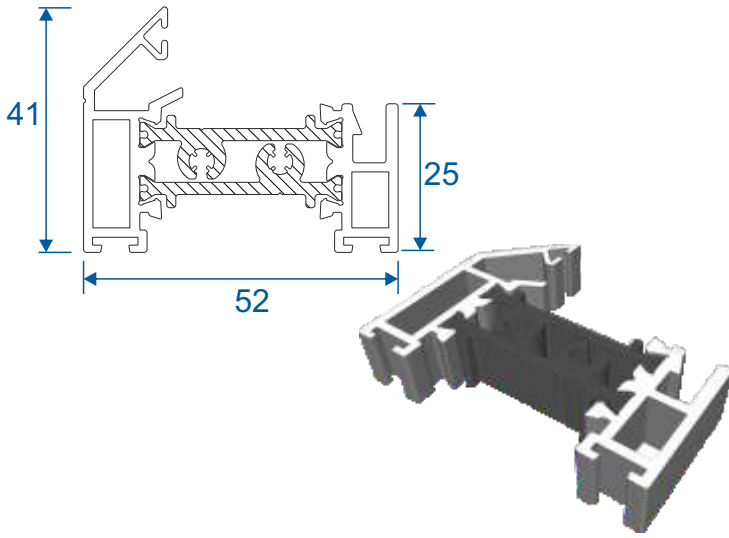


## ETC458 - Optional 190mm Cill For Extra 57mm Projection

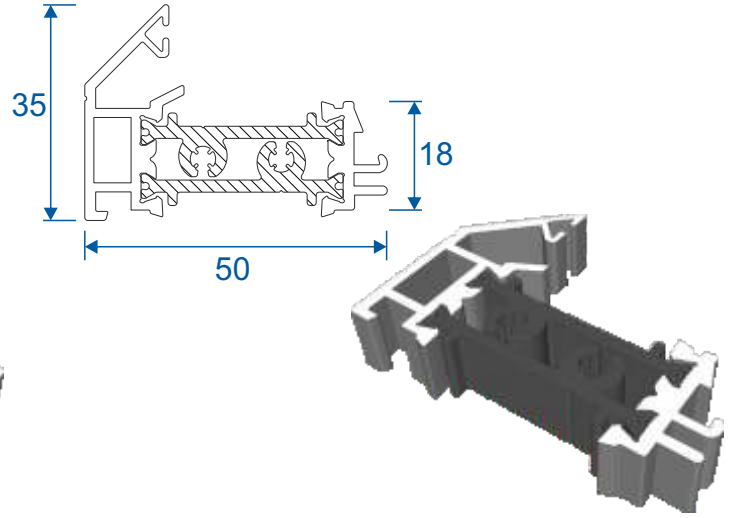


# Sashes

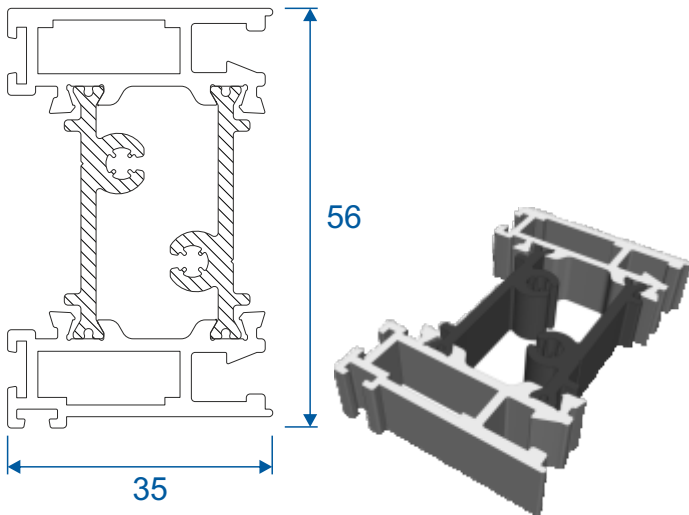
**ZSB144 - Top Rail Of Top Sash**



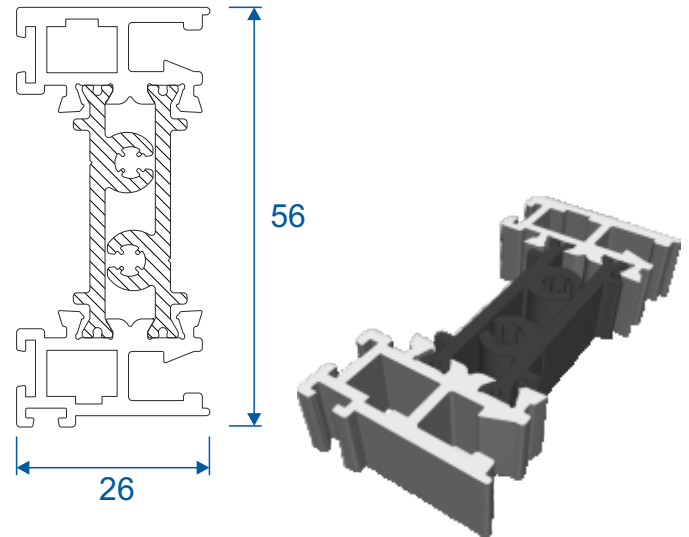
**ZSB145 - Top & Bottom Rail Of Transom**



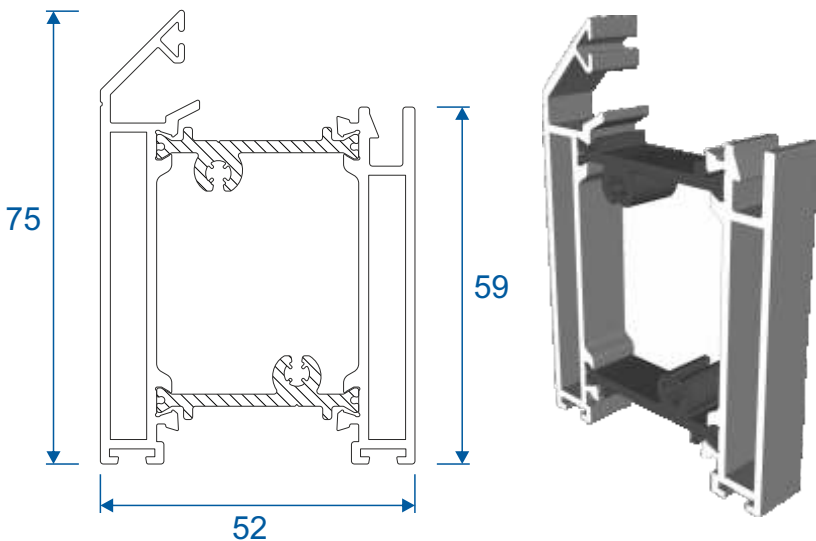
**ZSB123 - Jamb Of Bottom Sash**



**ZSB124 - Jamb Of Top Sash**

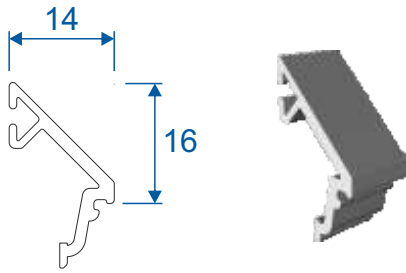


**ZSB146 - Deep Bottom Rail**

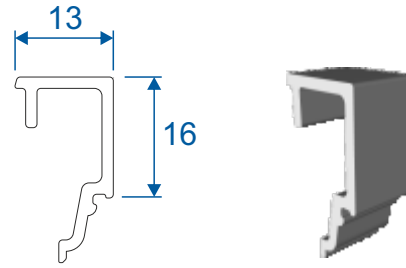


# Beads, Interlocks & Astragal

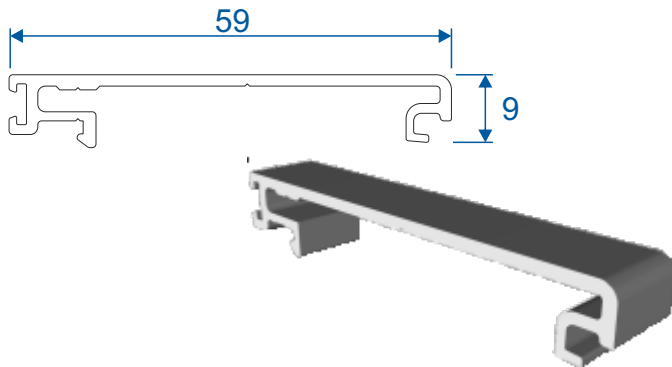
**ZSB148 - Horizontal Chamfered Bead**



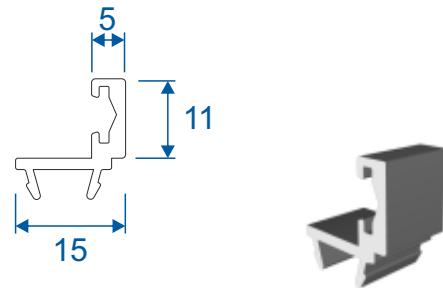
**VS045 - Internal Square Bead**



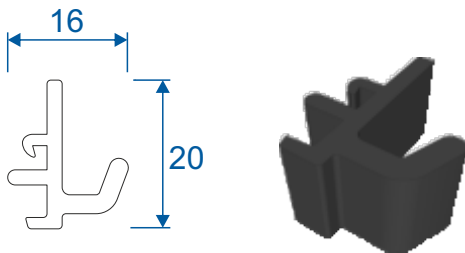
**VS130 - Interlock Cap**



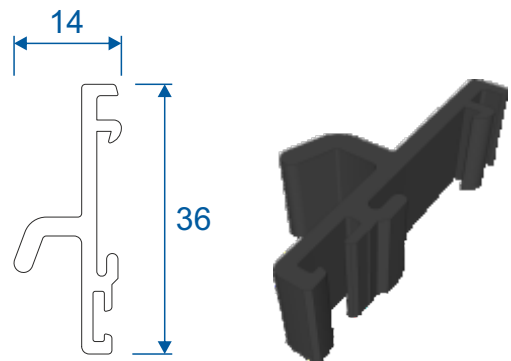
**VS041 - Wool Pile Carrier**



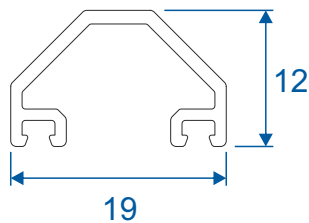
**VS031 - External PVC Interlock**



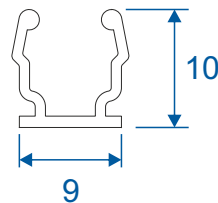
**VS032 - Internal PVC Interlock**



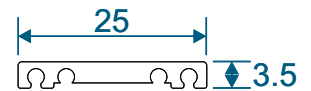
**ZSB98 - A-Shaped Bar**



**ZSB99 - Fixing Plate**

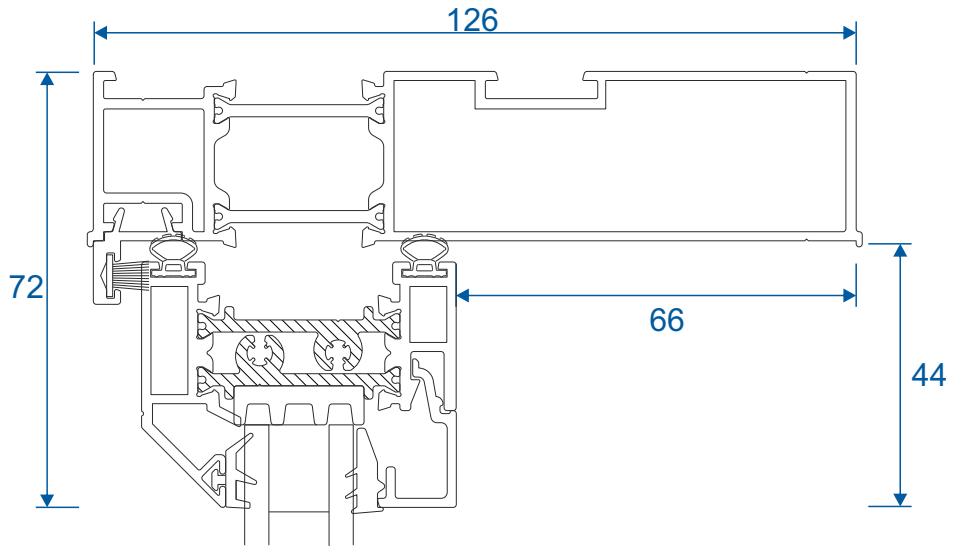


**ZSB246 - 25mm Flat Astragal**

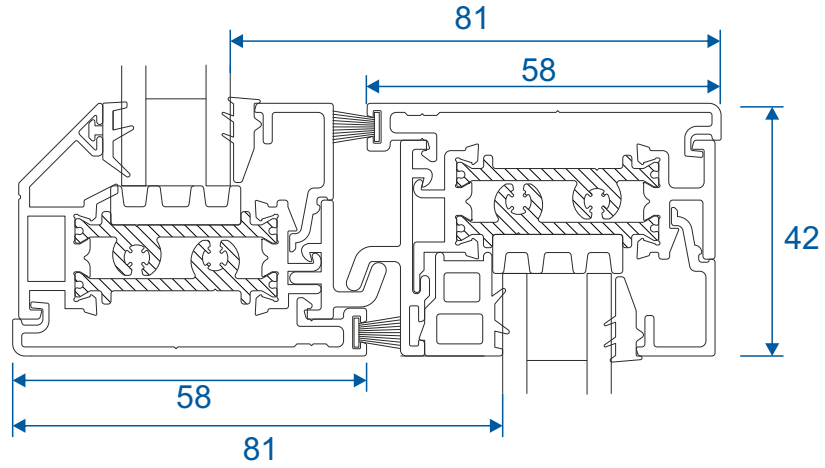


# Sections

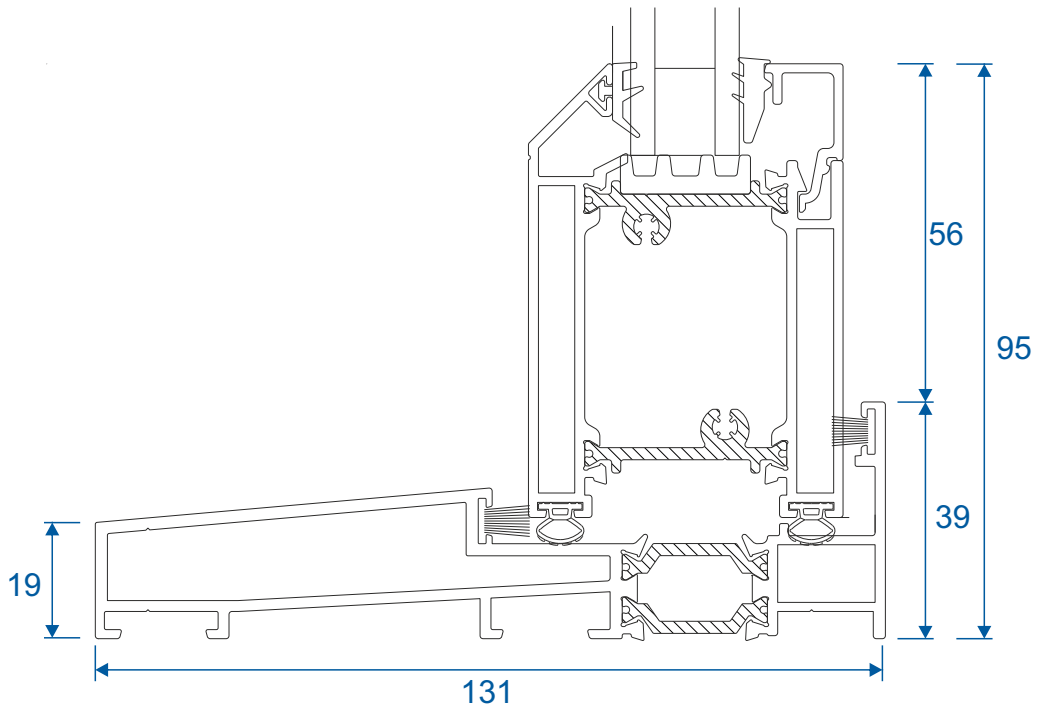
## Head Section



## Midrial / Interlock Section

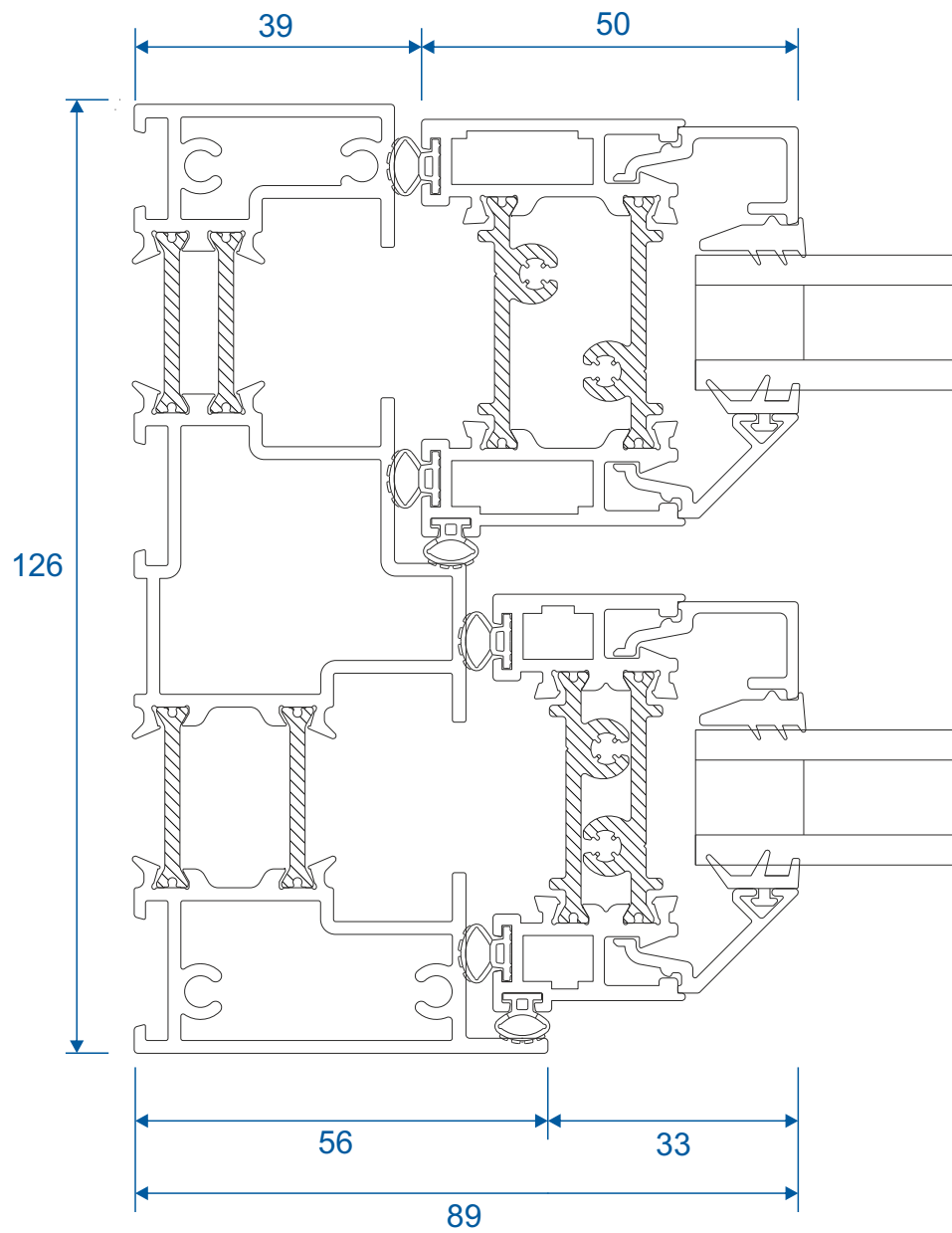


## Cill Section



# Sections

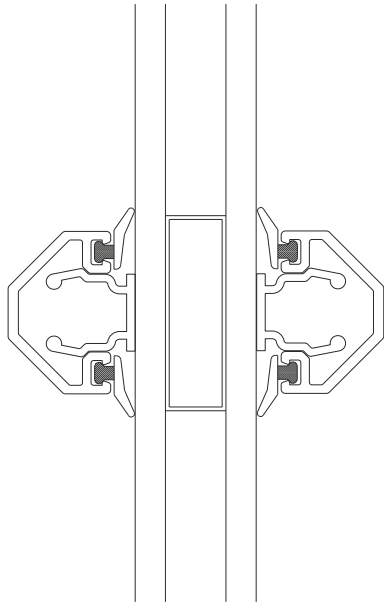
## Jamb



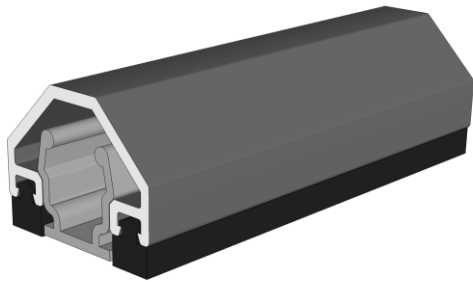
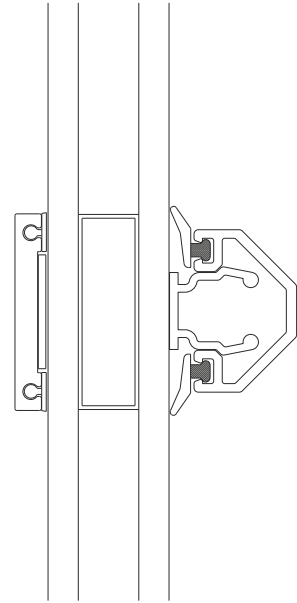


# Astragal Bars

'A' Shaped Out And In



'A' Shaped Out / 25mm Flat In



Duration Windows  
Thames Development  
Charfleets Road  
Canvey Island  
Essex. SS8 0PQ

[sales@duration.co.uk](mailto:sales@duration.co.uk)  
[www.duration.co.uk](http://www.duration.co.uk)

**Head Office** 01268 681612  
**Showroom** 01268 695100